

## Elite Surround



### Features

- High gloss acrylic surface for a bright shine
- Easy to clean, scratch and stain resistant
- Six spacious shelves
- Elite™ Wall design overlaps base to keep water inside
- No drilling necessary, screw flange direct to stud
- Easy one person installation for both new construction and remodel projects
- Covered with a protective film to maintain finish during installation
- Compatible with most standard shower bases
- Wall set includes one back panel, one left panel, and one right panel
- Each set packaged in one carton
- 5 Year Consumer, 2 Year commercial Limited Warranty

Dimensions	Part #	Model #	Shipping Weight
54" x 27" x 69" White	0378124	BLESCS01275469	50 lbs
54" x 27" x 69" Biscuit	0378125	BLESCS09275469	50 lbs
54" x 30" x 69" White	0378129	BLESCS01305469	50 lbs
54" x 30" x 69" Biscuit	0378132	BLESCS09305469	50 lbs
48" x 34" x 69" White	0378052	BLESCS01344869	50 lbs
48" x 34" x 69" Biscuit	0378053	BLESCS09344869	50 lbs
48" x 30" x 69" White	0378133	BLESCS01304869	50 lbs
48" x 30" x 69" Biscuit	0378135	BLESCS09304869	50 lbs

### Color Options\*

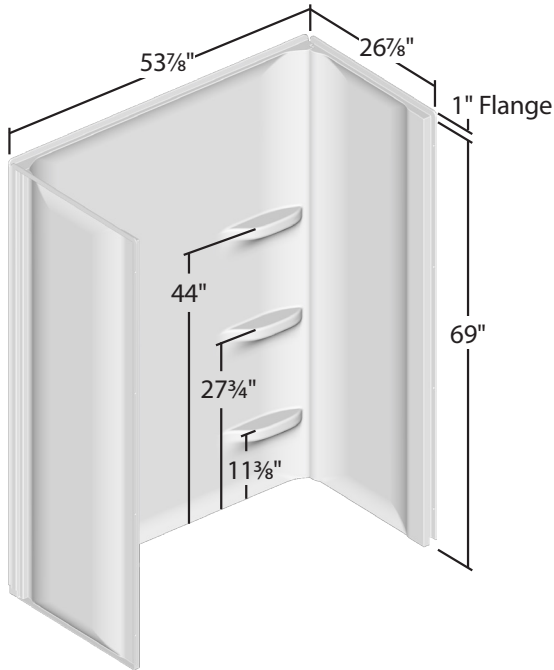
01 - White  09 - Biscuit

\*Color shown may vary slightly from the actual product due to variations in the printing process of this document.

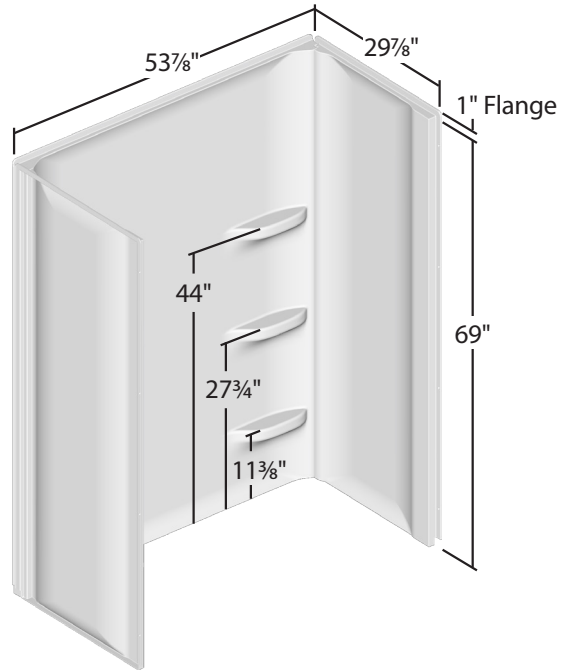
Plumbing accessories not included.



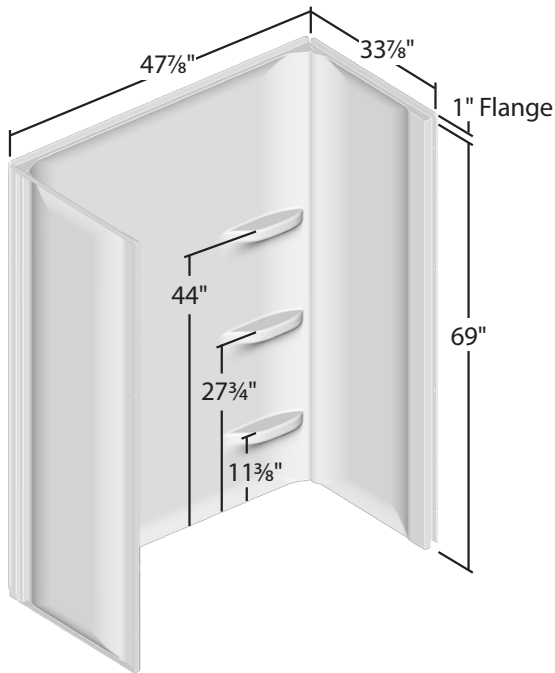
**54" x 27" x 69"**



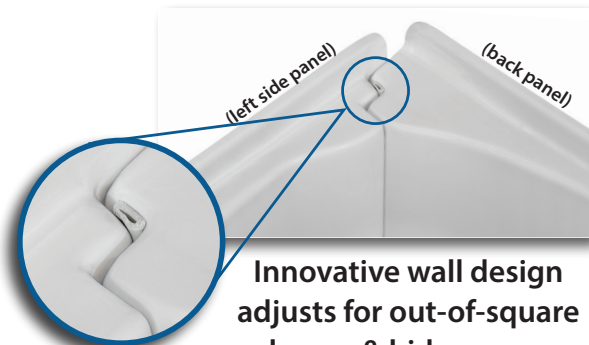
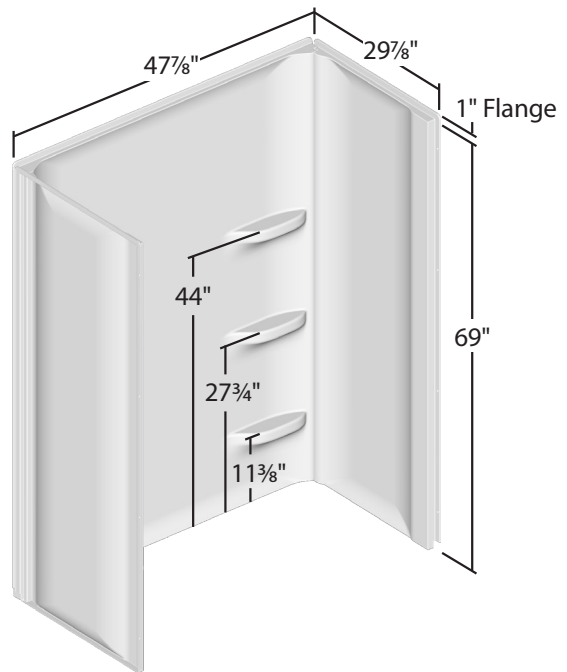
**54" x 30" x 69"**



**48" x 34" x 69"**



**48" x 30" x 69"**



Water-Proof Gasket  
(Magnified View)

**Innovative wall design  
adjusts for out-of-square  
alcoves & hides seams.  
No caulk required.**

**Contact Us**

Lyons Industries, Inc.  
30000 M-62 West  
Dowagiac, MI 49047

(800) 458-9036

(269) 782-5159

lyonsind@lyonsindustries.com

www.lyonsindustries.com

Design and features may change without notice.  
All product subject to manufacturing tolerance of [+] or [-] 1/8".  
Printed in U.S.A.

12/14/22