

## Victory Bathtub



### Features

- Head and Lumbar support for bathing comfort
- Easy to install for both new construction and remodel projects
- Screw flange direct-to-stud, no predrilling or clips required
- Reinforced with fiberglass and composite materials for maximum support
- Covered with a protective film to maintain finish during installation
- 5-Year Consumer, 2-Year Commercial Limited Warranty
- 100% robotic spraying improves quality and consistency
- Meets Flame/Smoke code for High Rise
- Meets ANSI and CSA Standards

Dimensions	Part #	Model #	Shipping Weight
54" x 27" x 16" AFR Left - White	0377946	BVTL01542716L	50 lbs
54" x 27" x 16" AFR Left - Biscuit	0377950	BVTL09542716L	50 lbs
54" x 27" x 16" AFR Right - White	0377947	BVTL01542716R	50 lbs
54" x 27" x 16" AFR Right - Biscuit	0377951	BVTL09542716R	50 lbs
54" x 27" x 16" AFR Center - White	0377989	BVTL01542716C	50 lbs
54" x 27" x 16" AFR Center - Biscuit	0377990	BVTL09542716C	50 lbs

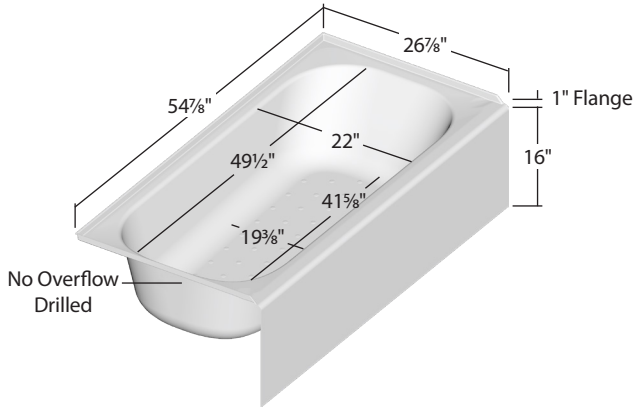
### Color Options\*

01 - White  09 - Biscuit

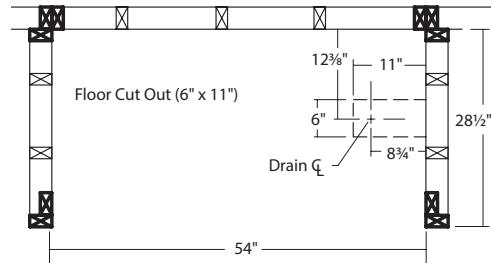
*\*Color shown may vary slightly from the actual product due to variations in the printing process of this document.*

*Plumbing accessories not included.*

**54" x 27" x 16"**  
**Raised Outlet**  
 (28 gallons)

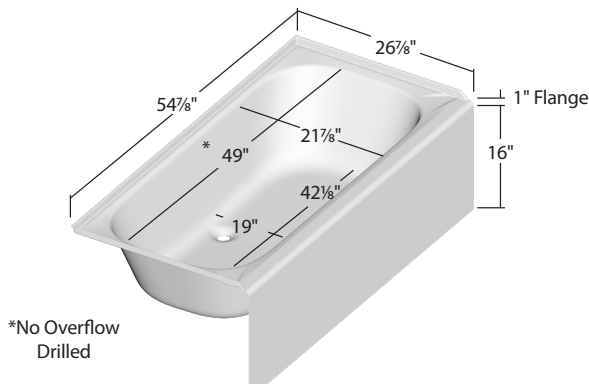


Max Door Threshold Width 2 3/4"

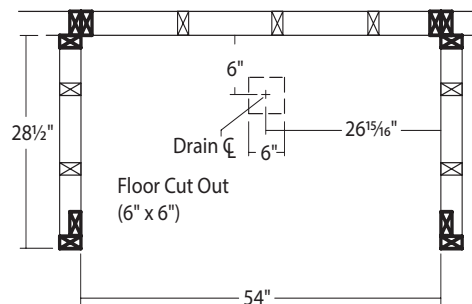


☒ = required stud location  
 ☒ = suggested stud location  
 RH Installation shown - reverse for LH installation.

**54" x 27" x 16"**  
**Raised Outlet, Center Drain**  
 (28 gallons)



Max Door Threshold Width 2 3/4"



☒ = required stud location  
 ☒ = suggested stud location

**Contact Us**

**Lyons Industries, Inc.**  
 30000 M-62 West  
 Dowagiac, MI 49047  
 (800) 458-9036  
 (269) 782-5159  
 lyonsind@lyonsindustries.com  
 www.lyonsindustries.com

Design and features may change without notice.  
 Complies with ANSI Z124.1 and CAN/CSA-B45  
 CAN/ULC S102.2 Flame-75 & Smoke Developed-485 code.  
 Complies with ASME:A112.19.7 and CAN/CSA-B45.10  
 All product subject to manufacturing tolerance of [+] or [-] 1/8".

Printed in U.S.A.  
 01-2023